

Subject Replace Engine Oil Drain Plug

Application: 900 1990 1/2 – 1991 1/2

CATEGORY	
Maintenance	
SECTION	PAGE
1	30
ISSUE	CODE
05/93-0327	110

Supersedes 05/91-0109

Service Directive

During mid-1991 900 production, the engine oil drain plug in the manual gearbox case was changed from 19 mm (wrench size) back to one with a 13 mm head. This change was made to reduce the possibility of overtightening the drain plug which can crack the gearbox case, Figure 1.

If not yet done, the 19 mm drain plug must be replaced with the 13 mm head drain plug. Do so at the next service opportunity, regardless of whether the car is scheduled for an oil change at that time.

NOTE

This PSI is identified as a “Service Directive,” meaning that affected cars should be corrected before delivery if possible, or at the next service opportunity, regardless of whether there has been a customer complaint. A “Service Directive” differs slightly from a “Campaign”. Owners are not notified to bring their car in for unscheduled service under this procedure. This bulletin combines updated original PSI information and the October 1991 Warranty Policies and Procedures Manual update to Service Directive Status.

Cars Affected:

1990 1/2 – 1991 1/2 900 Models with the following gearbox serial numbers:

- **A07249-** (Production ended on gearboxes for line A)
- **B03790 – B25931**

Parts Required:

13 mm Drain Plug P/N 87 31 762
 Steel Drain Plug Washer P/N 87 28 057

Action Required:

WARNING

DO NOT OVERTORQUE DRAIN PLUG

Torque Specification: 21-29 ft lb (29-39 Nm)

For installation procedures, refer to Figure 2.

- 1. Replace the 19 mm drain plug with the 13 mm plug and steel drain plug washer. Torque to specification.

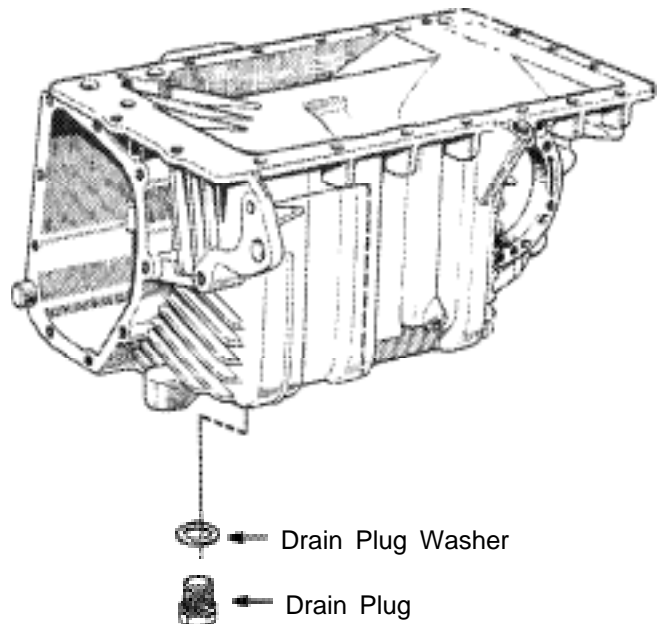


Figure 1. Drain Plug Location – For reference only

Warranty Information:

NOTE

Gearbox case damage solely related to improper drain plug tightening is not covered by warranty.

For warranty claims, use failure coding **21719-02-0-01-01**. Labor **Time** Allowance is 0.2 hr which should be entered as straight **time**. This directive applies to all applicable cars regardless of age or mileage.

Warranty will accept 1 quart of oil for topping up.

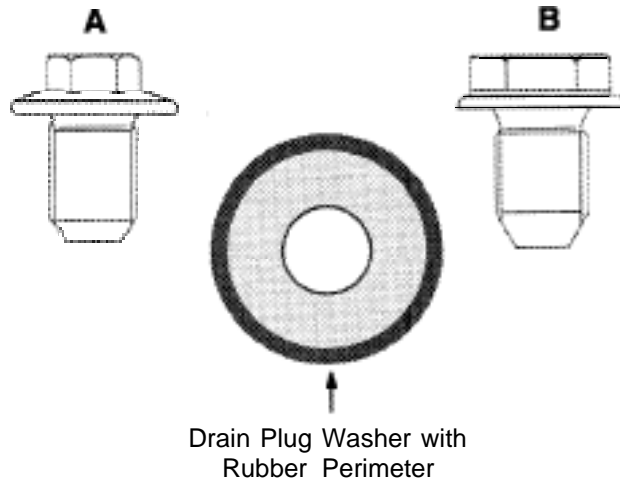


Figure 2. Replace 19 mm drain plug (B) with 13 mm plug (A). Use steel washer shown (do not use old design copper washer).