

**SERVICE INFORMATION**

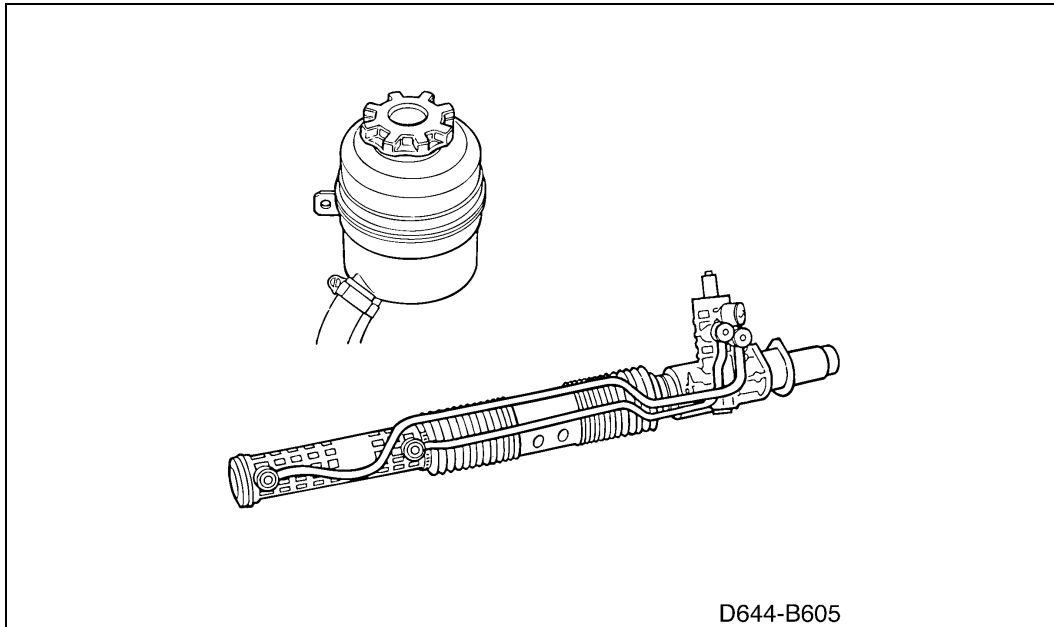
**Number:** 644-1580

**Year:** 1995

**Month:** OKTOBER

**Market:** ALL

**Synthetic power steering fluid**



D644-B605

**Cars concerned**

Saab 900/9000

**Background**

On account of supply difficulties, Saab Power Steering Fluid 1890 (part No. 45- 30 02 995) has been discontinued.

**Procedure**

Use the old PS fluid - Saab Power Steering Fluid 4634 (part No. 45-30 09 800) - until supplies of the replacement fluid for 1890 are available. Changing to the old fluid may result in poorer cold-starting performance and noise in the PS pump.

In an emergency, ATF fluid may also be used for shorter periods until the regular fluid is obtainable.

The part number of the replacement for 1890 fluid and its delivery date will be announced in a later SI.