

SERVICE INFORMATION

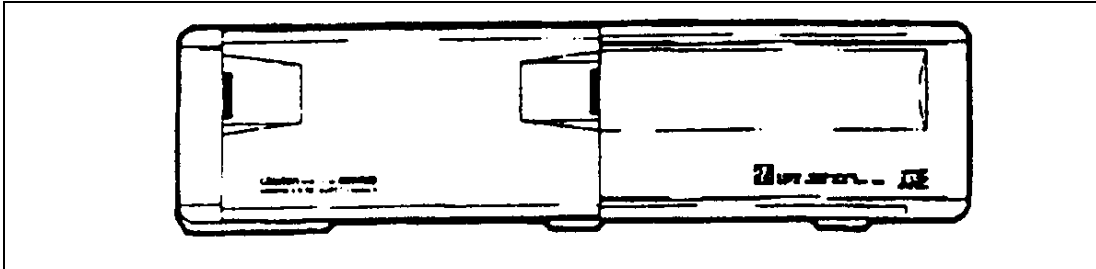
Number: 900-9028

Year: 1996

Month: MARCH

Market: US

Installing New Accessory "Slimline" CD Changer



This bulletin contains mounting and parts information for installing the new slimline accessory CD changer.

Cars affected

1994- 900 models (not 1994 CV)

1994- 9000 models

Action:

- A 1994-98 900 (not 1994 CV) and 1995-98 900 CV: replacing old style 6-disc CD changer with new slimline changer
- B 1994-98 900 (not 1994 CV) and 1995-98 900 CV: first time installation of accessory CD changer (using the new slimline changer)
- C 1994-1998 9000: replacing old style 6-disc CD changer with new slimline changer
- D 1994-98 9000: first time installation of accessory CD changer (using the new slimline changer)

Material

Not all the parts listed below are needed for every installation. Refer to the individual procedures in this bulletin. We have listed applicable part numbers with each procedure to make identifying the parts you need easier to determine.

CD Auto Changer (Slimline): 02 49 870

Changer Bracket Kit (94-98 900 3D & 5D and 95-98 CV): 02 49 920

Changer Bracket Kit (9000): 02 47 957*

Adapter Bracket Kit (9000 and 900 with old style changer bracket): 02 49 888

Adapter Cable (9000): 02 49 664**

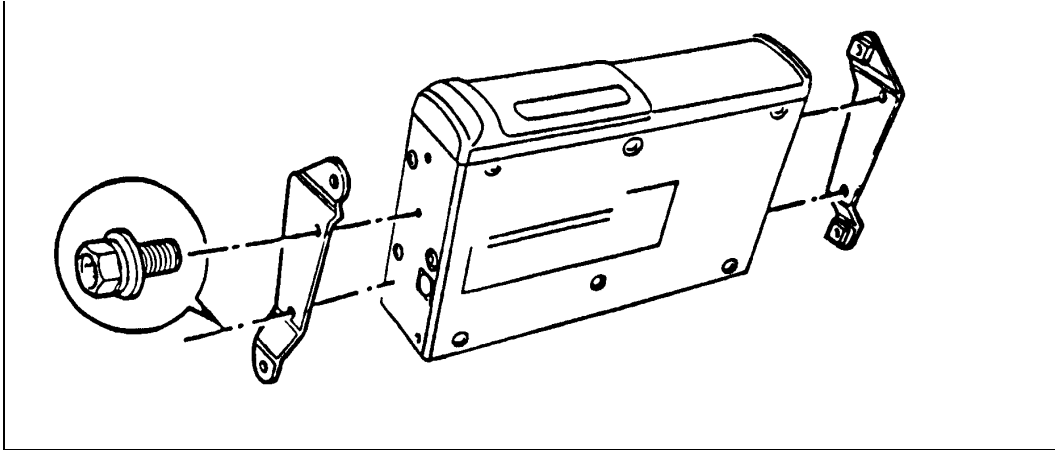
Cartridge (for slimline changer): 02 49 896***

*Also need Adapter Bracket, P/N 02 49 888

**Needed only for 1995-98 9000 models when using both in-dash CD player and accessory CD Autochanger

***One cartridge is included with slimline CD changer. Use this part number to order extra cartridges.

A. 1994-98 900 (not 1994 CV) and 1995-98 900 CV: Replacing old style changer with new slimline changer



Material

CD Auto Changer (Slimline): 02 49 870

Adapter Brackets (900 with old style changer bracket: 02 49 888)

Action

- 1 Remove the old-style C D changer from the changer bracket.
- 2 Use the bolts provided with the adapter brackets to attach the adapter brackets to the slimline CD changer (see Figure above).
- 3 Slide the CD changer with adapter brackets into the changer bracket.
- 4 Use the original mounting screws to secure the adapter brackets to the changer bracket.

B. 1994-98 900 (not 1994 CV) and 1995-98 900 CV: First time installation of accessory CD changer (using the new slimline changer)

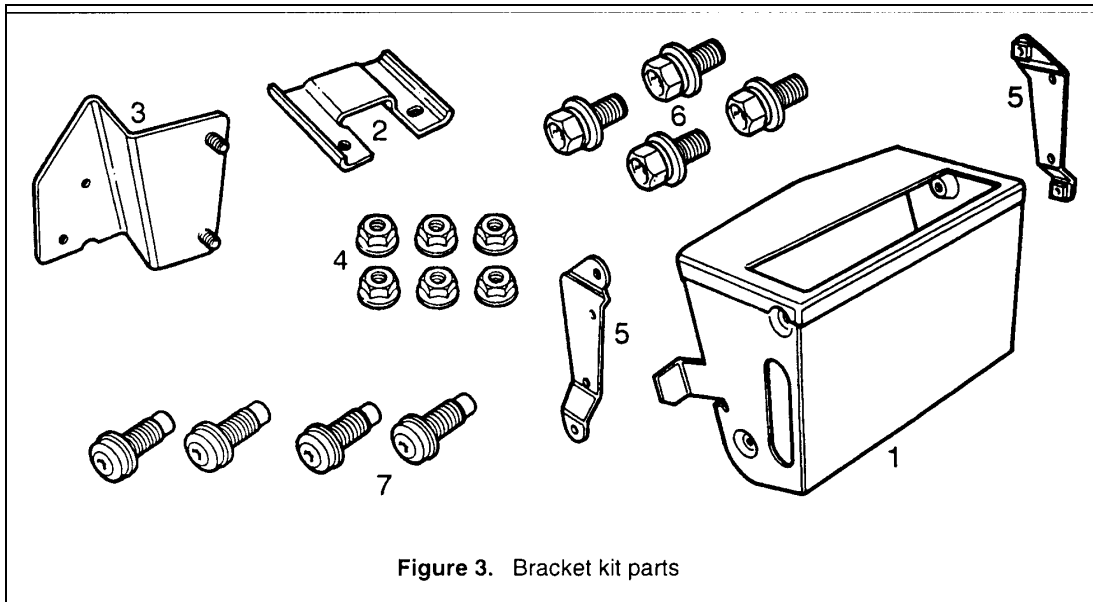


Figure 3. Bracket kit parts

Materials

CD Auto Changer (Slimline): 02 49 870

Changer Bracket Kit (1994-98 900 3D & 5D and 1995-98 CV): 02 49 920

Action

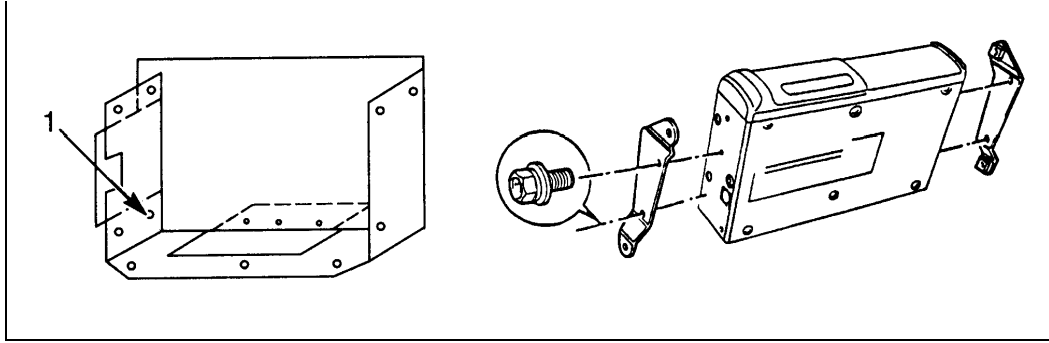
1 Install the CD changer by following the instructions included with the changer bracket kit.

NOTE

In some cases, the holes for the front adapter bracket may not align with the holes in the slimline CD changer.

2 If necessary, use a file to slightly elongate one of the front adapter bracket holes.

C. 1994-98 9000: Replacing old style 6-disc CD changer with new slimline changer



Material

CD auto changer (Slimline): 02 49 870

Adapter brackets: 02 49 888

Action

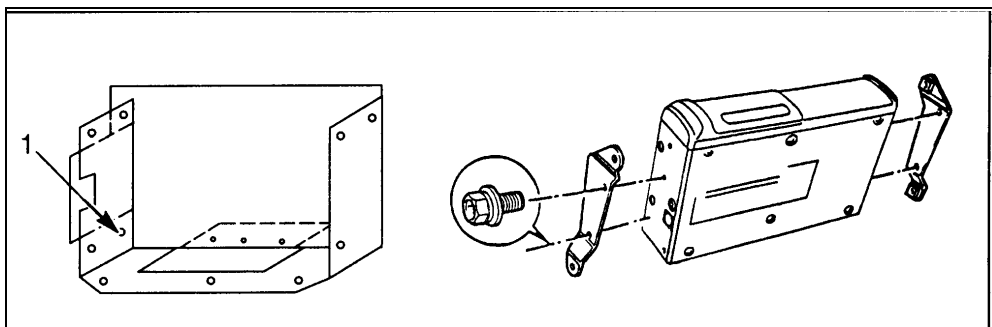
- 1 Remove the old style CD changer.
- 2 Use the bolts provided with the adapter brackets to attach the adapter brackets to the slimline CD changer.

NOTE

In some cases, you may need to drill a fourth hole in the changer bracket for the front adapter bracket. Using the bracket as a template for the hole location, drill a 5mm (13/64") hole in the location indicated by item 1, Figure above.

- 3 Plug in the DIN connector.
- 4 Use the original bolts to attach the adapter brackets to the changer bracket.

D. 1994-98 9000: First time installation of accessory CD changer (using the new slimline changer)



Material

Changer bracket: 02 47 957

CD auto changer (slimline): 02 49 870

Adapter brackets: 02 49 888

Action

- 1 Use the mounting instructions included with the changer bracket to mount the bracket.
- 2 Use the bolts provided with the adapter brackets to attach the adapter brackets to the changer (see Figure above).

NOTE

In some cases, you may need to drill a fourth hole in the changer bracket for the front adapter bracket. Using the bracket as a template for the hole location, drill a 5mm (13/64") hole in the location indicated by item 1, Figure above.

- 3 Plug in the DIN connector.
- 4 Mount the changer with the adapter brackets to the changer bracket.