

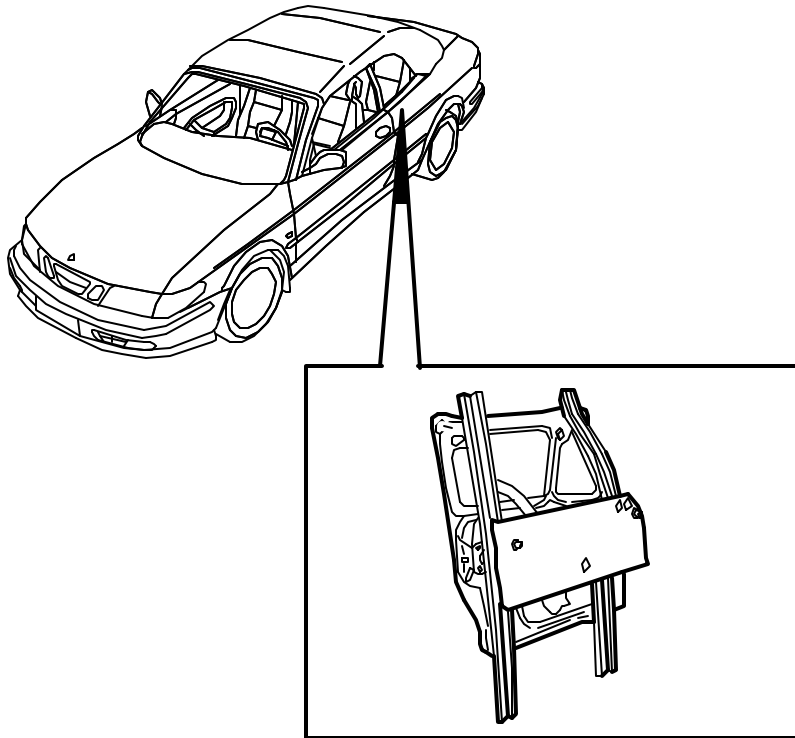
TECHNICAL NEWS

Bulletin Nbr: 98-12-811

Date:.....DECEMBER 1998

Market: ALL

New lift mechanism for rear side windows



D811B663

Cars concerned

Saab 9-3 CV up to and incl. chassis no. W7055127 (M98) respective X7002618 (M99).

Background

New lift mechanism and electric motor have been introduced for the rear side windows. This affects:

- fitting of new lift mechanism
- adjustment of the window.

Materials

48 51 911 Window lift mechanism, left

48 51 903 Window lift mechanism, right

Tools

27 mm hole-cutting saw

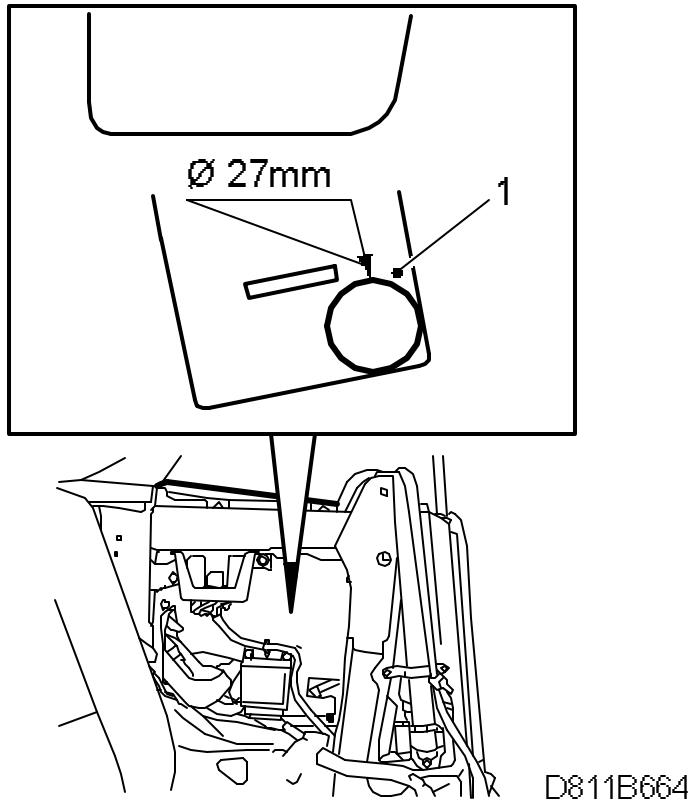
Diagnostic procedure

The method for fitting and adjusting is described for the left side of the car, but also applies to the right side.

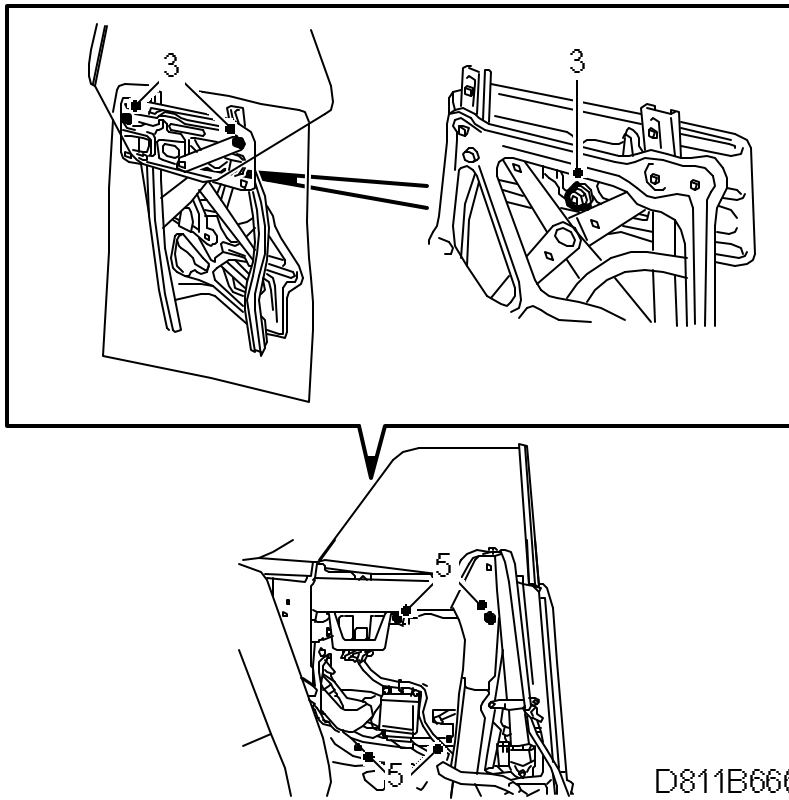
Fitting rear side window with lift mechanism

Condition: The rear side trim has been removed and the old lift mechanism has been removed.

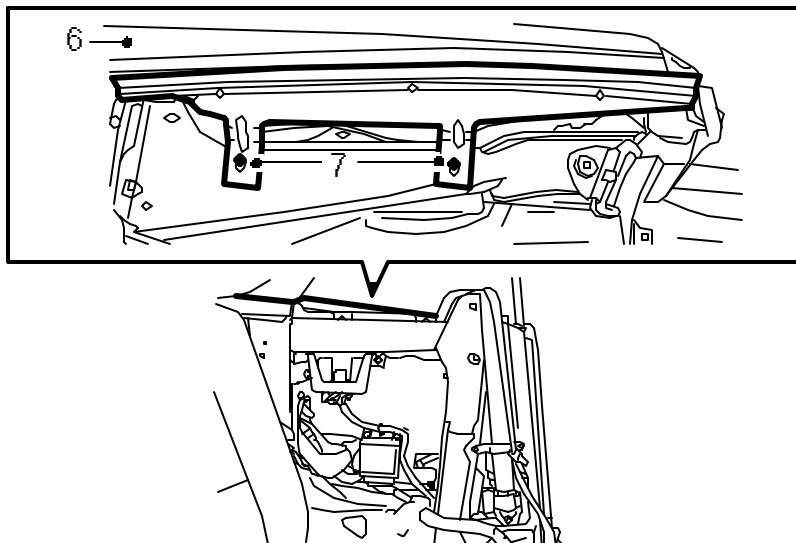
1. Mark up and drill a hole with the 27 mm hole-cutting saw in the side panel. The hole should just reach the marked edge in the side panel according to the illustration.



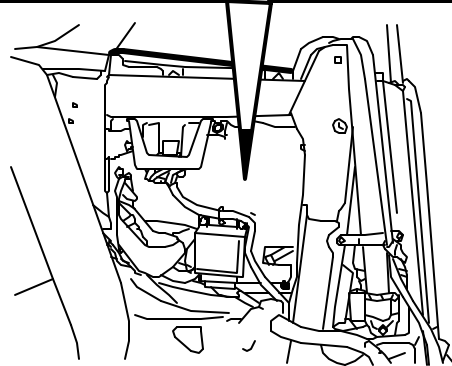
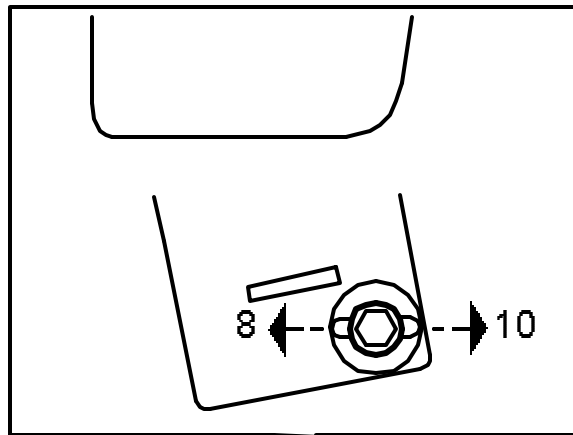
2. Remove burrs from the edges of the hole, remove filings and apply anti-corrosion compound.
3. Fit the window on the window lift and tighten the bolts.



4. Lower the window and lift mechanism in the window space and plug in the connector.
5. Fit the lift mechanism and tighten the nuts securing it to the body according to markings.
6. Refit the outer window seal.



7. Tighten down the inner window seal holder according to the markings.
8. Push the lift mechanism mechanical stops as far back as possible.



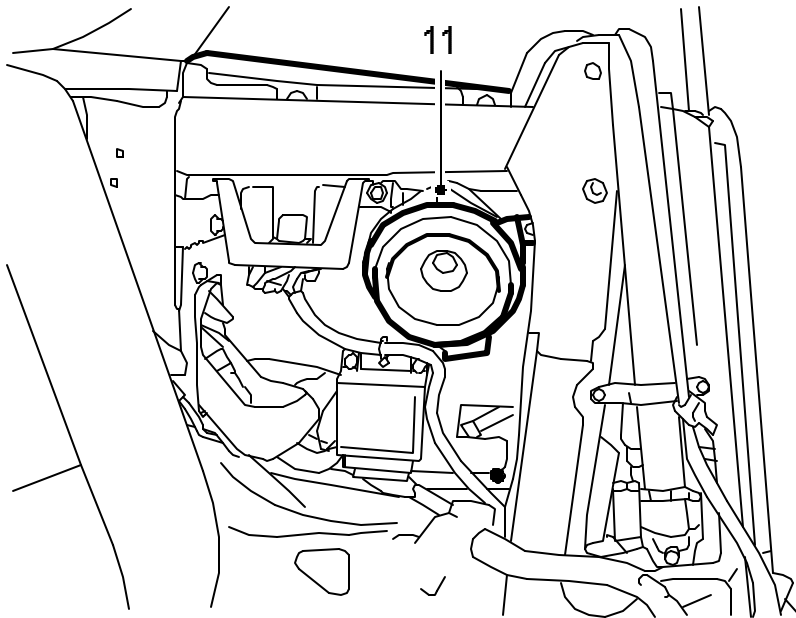
D811B665

9. Adjust the rear side window. See "8. Convertible, Adjustment and replacement, Adjustment of windows and seals". →
10. Push forward the mechanical stop so that it touches the lift mechanism. Tighten the screw.

Important

The mechanical stop must not reach the lug on the main arm before the upper stop has been activated.

11. Fit the loudspeaker.



D811B668

12. Refit the rear side trim. See "8. Convertible, Adjustment and replacement, Rear side trim, Fitting". →